

ABANAKI

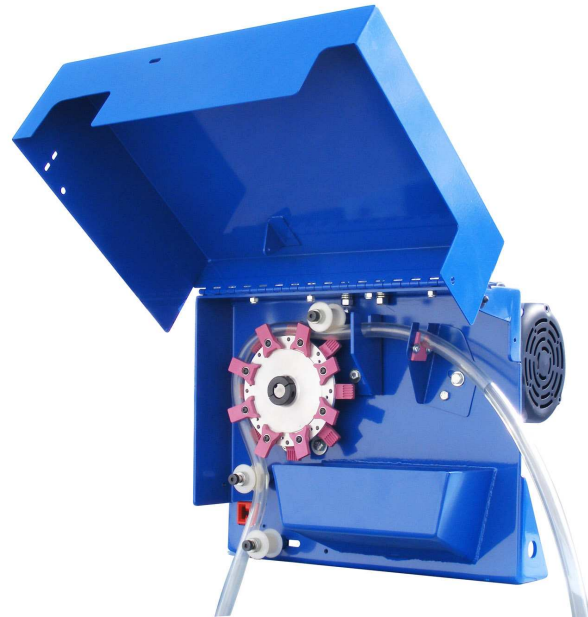
The *Oil Viper* Tube Skimmer

The Abanaki *Oil Viper* tube skimmer effectively removes floating surface oils by means of a oleophilic (oil attracting) 3/4 inch diameter continuous looped tube. The tube extends out over the surface of the tank or pit and collects the free floating oils.

The *Oil Viper's* specially designed wiper mechanism uses an o-ring wiper attached to the tube along with an additional ceramic wiper on the skimmer to remove the collected oil from the tube. The result is a virtually oil free tube as it returns to the water for quicker oil removal. Removal rates can be as high as 100 gallons per hour.

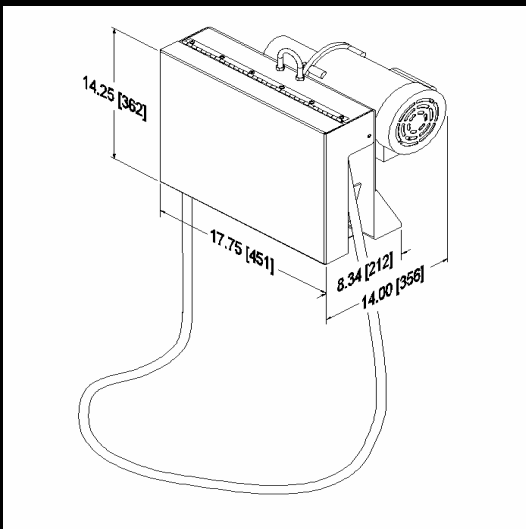
The unit is powered by a fractional horse power TEFC in any voltage configuration. Explosion proof and wash down duty motors are available. An automatic shutoff switch turns the skimmer off when the cover is in the open position for safe and easy maintenance. The tube is available in lengths up to one hundred feet. Predrilled mounting holes in the bottom of the unit for easy mounting to any flat surface.

The *Oil Viper* is designed to remove all types of oil, making it perfect for use in any industrial or food processing industry where free floating oil is present.



Key Features:

- Compact design fits almost any tank or pit.
- Explosion proof and wash down duty motors available.
- Tubes with up to 100 foot reach.
- Safety shut off switch for safe maintenance.
- Simple and effective drive design for lasting performance.
- Unique wiping system for more effective oil removal.
- Weighs 74 pounds.
- Units with removal rates of up to 100 gph.



TubeTastic! Series

Oil Viper Tube Skimmer

American Cyanamid
 Armstrong World Industries
 Bethlehem Steel
 Boeing
 British Steel
 Bureau of Reclamation
 Caterpillar
 Chevron
 Corning
 Dow Chemical
 Eaton
 Flying J
 Ford Motor
 General Electric
 Henry Filters
 Honda
 John Deere

Kaiser Aluminum
 Lockheed
 Mazak
 Monroe Auto Equipment
 New York Power Authority
 Nissan Motor
 Norfolk Southern Railroad
 Nucor-Yamato Steel
 Outboard Marine
 TRW
 Union Pacific Railroad
 United Airlines
 USS Great Lakes Fleet
 Volvo AB
 Wartsila Diesel
 Westinghouse Electric

Other Oil Skimming Products From Abanaki

Model 4[®]

For Most Applications
 Single 8-inch wide belt (20.3 cm)
 Any length belt
 Capacity: 40 GPH (151.4 LPH)

Model MB[®]

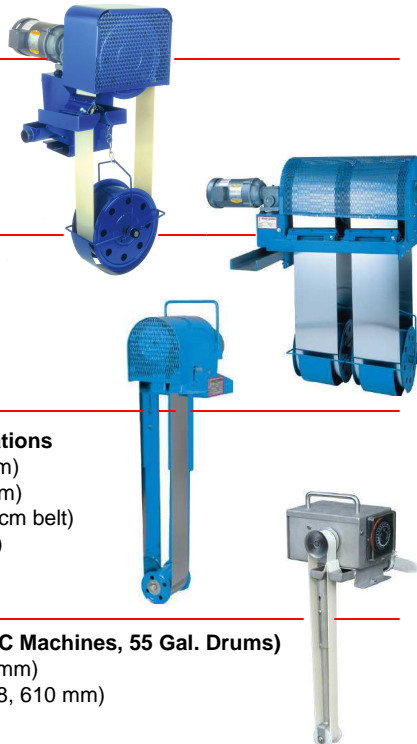
For High Volume
 Two to five 8-inch belts (20.3 cm)
 Any length belts
 Capacity: to 200 GPH (757.1 LPH)

Tote-It[®] Portable

Portable for Moderate Capacity Applications
 Single belt: 2-inch or 4-inch (5.1 or 10.2 cm)
 Belt length: 1' - 6" to 5'-0" (45.2 to 152.4 cm)
 Capacity: 6 GPH - 2" belt (15.1 LPH - 5.1 cm belt)
 12 GPH - 4" belt (22.7 LPH - 10.2 cm belt)

Mighty Mini[®]

Small Applications (Parts Washers, CNC Machines, 55 Gal. Drums)
 Single belt: 1-inch or 2-inch (25.4 or 50.8 mm)
 Belt length: 6", 12", 18", 24" (153, 305, 458, 610 mm)
 Capacity: 1 GPH - 1" belt (3.81 LPH)
 2 GPH - 2" belt (5.71 LPH)



Specifications:

Oil Removal Rate Up to 100 gph (378 lph).
 Rate is based on 30 weight oil in water at ambient temperature.

Motor Fractional hp, TEFC, gear motor operating on either 115/230VAC, single phase, 60Hz or 230/460VAC, three phase, 60Hz.
Optional: 50Hz power source; explosion proof; drip proof; pneumatic; and WD duty.

Tube Dia. 3/4" O.D. (2 cm)

Tube Length Up to 100 (30 m) foot reach.

Tube Material Standard synthetic material for wastewater applications not involving high temperature or chemical applications.
 Rough service synthetic material for higher temperature and chemical applications.

Wiper Nitrile & ceramic wiping system completely removes the oil collected on the tube.

Mounting Method Standard flat mount using an eight bolt hole pattern with oil discharge through a 4" n.p.t. (10 cm) pipe fitting.

Weight Drive assembly and housing with motor, without collector tube: 74 lbs. (34 kg)
 Collector tube weight determined by its length.

Options 4 ft. (1.2 m) vertical mounting stand.

304 stainless steel construction.

Float switch with signal light (fits 3/4" drum bung) to prevent discharge drum overflow.

Timer and electrical controls.

Wiper Rings	Temperature of Liquid	pH 3-5 (acidic)	pH 6-8 (neutral)	pH 9-14 (alkaline)
	33F-175F (.05°C-80°C)	CRV	CRV Nitrile	CRV Nitrile
	175F-212F (80°C-100°C)	CRV	CRV	CRV
Tubes	Temperature of Liquid	pH 3-5 (acidic)	pH 6-8 (neutral)	pH 9-14 (alkaline)
	33F-175F (.05°C-80°C)	Super Poly	Poly	Super Poly
	175F-212F (80°C-100°C)	Super Poly	Super Poly	Super Poly



**WMI Wolfgang Moik
 Industrieprodukte**

Urstein Nord 51, 5412 Puch bei Hallein, Austria

Telefon +43 6246 73 412

Telefax +43 6246 73 412-22

office@wmi.co.at

www.wmi.co.at