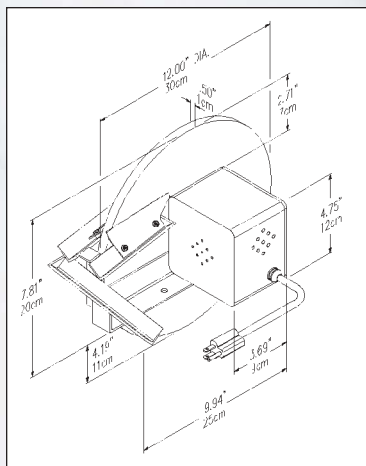


# ABANAKI DISK SKIMMER

## MIGHTY DISK™ OIL SKIMMER

Model SDC-12



Model SDS-12



**The inexpensive way to remove unwanted tramp oils from coolants and parts washers.**

**Effective.** Removes up to 5.5 liters (1½ gallons) of oil or more of medium weight oil per hour.

**Compact.** Use it almost anywhere a flat surface is available for mounting.

**Portable.** Weighs less than 5 kg (10 lbs), installs in no time, and runs on 230 V (or 110 V on request) power.

**Complete.** Put it to work right out of the box, or add the optional coolant saving decanter for a more efficient skimming system.

### Standard Features

- Available in 12" and 18" diameters
- 230 V fan cooled motor
- High temperature disk material
- Quality construction

### Optional Features

- 24 hour timer
- Coolant saving decanter

### Stainless steel disk skimmers for harsh chemical environments!

Introducing a disk skimmer constructed of stainless steel for those applications where carbon steel may fail. Perfect for parts washers or plating tanks!